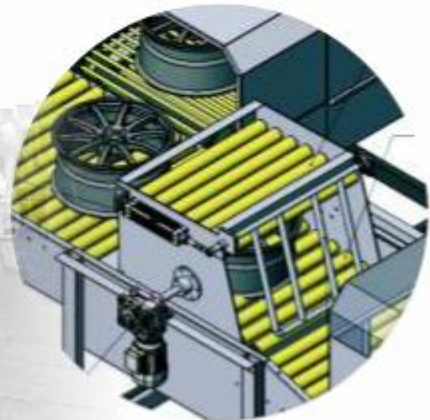
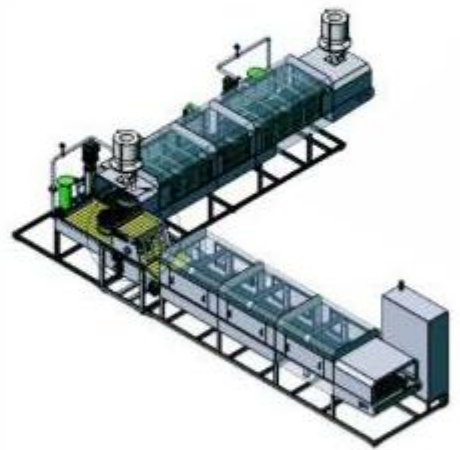


# NEXON

AUTOMATION INDIA PVT. LTD.



*Design & Manufacturing Industrial Part  
Cleaning Machine & Automation*



## ABOUT US

We have 13 years of experience, stands out as a prominent Design, Manufacturer, Exporter, and Provider of Installation and Maintenance Services for Industrial Component Cleaning Machines & Automation. As an industry leader, Nexon Automation specializes in crafting customized machines, providing comprehensive solutions tailored to meet customer needs. Our commitment to efficiency extends to environmentally friendly cleaning and degreasing solutions. Continuous innovation and development remain our priorities, with a process that spans from preliminary study to the final product. Each cleaning requirement is approached uniquely, as our technical team conducts in-depth analyses to determine whether a standard machine suffices or if a Special Purpose Machine needs design and manufacturing. Our machines are both efficient and economical, minimizing water consumption and cleaning solution usage. With expertise in Design, Production, Installation, Commissioning, and a well-equipped after-sales team, Nexon Automation ensures excellence across the entire lifecycle of our products.

## OUR PRODUCTS IN DIFFERENT SECTORS

- **Automobile Sector**
- **Railway Sector**

## AUTOMOBILE SECTOR

Rotary Parts Cleaning Machine

AHU Filter Cleaning Machine

Rubber Hose Cleaning Machine

Axle Beam Cleaning Machine

Industrial Component Cleaning Machine

Drum Cleaning Machine

Conveyorised Component Cleaning Machine

Battery Washing and Drying Machine

Fuel Tank Washing and Drying Machine

Ultrasonic Component Cleaning Machine

Cabinet type Component Cleaning Machine

Crate/Tray/Bin Cleaning Machine

Transmission Component Cleaning Machine

Oil Dipping Machine

## ROTARY PARTS CLEANING MACHINE



The Rotary Type Parts Cleaning Machine offers compact, economical cleaning for a variety of components. Using water pressure, temperature, and optimal spray patterns, it washes, degreases, rinses, and dries metal and plastic parts. The Rotary basket, featuring special manifolds and dedicated nozzles, enables continuous cycles of efficient cleaning. During the set washing time, parts undergo continuous alkaline wash, with the water and solution cleaned through multiple filters. The operator easily unloads clean parts, reloads contaminated ones, ensuring a seamless and continuous cycle.



### FEATURES

- Adjustable speed
- Highly reliable
- Efficient cleaning
- Electric heating
- Front loading/unloading
- Automatic cycle
- Spray washing and air blow drying in closed environment so no harm to operator
- SS 304 Construction for wetted parts and MS construction for non-wetted parts in the machine

### APPLICATIONS

- Component Manufacturing Industries, Automotive, Railways, Defense, Coal Pharma Industries

# CABINET TYPE COMPONENT CLEANING MACHINE

## PRODUCT INFORMATION

The Cabinet Type Component Cleaning Machine is ideal for batch production, automating the cleaning of medium to large mechanical parts. It features a closed cabin with a front door, ensuring fluid filtering during automatic washing. The machine includes a rotary basket or dedicated fixture for part loading, spraying, and transfer to the next chamber for drying. (if dual chamber machine) Washing and drying can occur in the same chamber, with vertical door operation via pneumatic cylinders. The machine can be configured with one or two chambers (single or double cabinet) based on customer needs. Special manifolds with dedicated nozzles ensure optimal cleaning, utilizing top, bottom, and side nozzles. The system incorporates multistage filtration, allowing specific component cleaning based on cleanliness level requirements.



## FEATURES

- Parts carried on a turntable at an adjustable speed
- Special supports for any parts requiring this
- Efficient cleaning
- Electric heating
- Front loading/unloading
- Automatic cycle
- Operations are performed in sequence.
- Spray washing and air blow drying in closed environment so no harm to operator

## APPLICATIONS

- Stator
- Rotor
- Axle Box
- Cylinder Head
- Cylinder Blocks
- Gear Box Housing
- Automobile parts
- Compressor parts
- Bearings
- Railway Engine Parts



## CONVEYORISED COMPONENT CLEANING MACHINE

The Conveyorized Component Cleaning Machine, designed for high productivity and flexibility, is ideal for large-scale productions where speed is crucial. Featuring modular design for varied configurations, it ensures minimal water, energy, and detergent consumption. Equipped with special manifolds, dedicated nozzles, and a continuous or stop-and-go conveyor, it offers ultimate cleaning results. The machine incorporates a full filtration system, oil skimmer, flow control valve, pressure control valve, safety valves, and achieves Millipore value & particle count as per customer requirements.



### FEATURES

- Mist collector eliminates exhaust fumes, ensuring a clean surrounding environment.
- Side guides for effective component support when needed.
- Ensures thorough and efficient washing and drying of components.
- Used in conjunction with a filtration and separation device for enhanced performance.
- Slat, chain, roller, etc., conveyor types are selected based on cleaning application & part geometry.
- Allows for targeted cleaning, optimizing the cleaning process
- Supports both manual loading and fully automatic operation for flexibility.
- Designed for high productivity and reliability in industrial cleaning applications

### APPLICATIONS

- Plastic Tray/Bin cleaning machine in food sector or industrial sector
- Automobile sector
- Railway Sector
- Fuel tank
- Engine parts
- Axle box Housing
- Camshaft
- Crankshaft
- Pump Housing
- Compressor Parts
- Roller Bearings
- Confectionary Tray, pans, containers
- Sugar Industry



## CONVEYOR TYPE PLASTIC BIN / DRUM/ PALLET WASHING MACHINE

This Conveyorized Bin Cleaning Machine is designed to excel in environments demanding high productivity and flexibility, making it ideal for large-scale productions where speed is crucial. Its modular design allows for varied configurations, optimizing resource consumption with minimal water, energy, and detergent usage. Equipped with special manifolds, dedicated nozzles, and a continuous or stop-and-go conveyor, the machine delivers ultimate cleaning results. Additionally, the incorporation of a full filtration system enhances the overall effectiveness of the cleaning process



### FEATURES

- **Single-Person Operation:**  
Optimized for efficient cleaning with a user-friendly design, allowing for seamless operation by a single person.
- **Spray Wash:**  
Powerful spray wash initiates the cleaning process, effectively removing contaminants from the bins.  
Strategically positioned special manifolds and dedicated nozzles ensure thorough and precise cleaning.
- **Air Blow:**  
A robust air blow facilitates initial drying of the bins after rinsing, preparing them for the next phase.
- **Return Conveyor System:**  
Streamlines the cleaning process for single-person operation by efficiently transporting the cleaned bins back to the starting point, ready for the next cycle.
- **Resource Optimization:**  
Minimizes resource consumption with efficient use of water, energy, and detergent, contributing to cost effectiveness.
- **Full Filtration System:**  
Incorporates a comprehensive filtration system to enhance overall effectiveness by ensuring the cleanliness and quality of the cleaning process.
- **Precise Cycle Sequence:**  
Follows a meticulous cycle sequence including Spray Wash, Rinse, Air Blow, Hot Air Blow, and a Return Conveyor System for comprehensive and efficient cleaning.
- **Rinse:**  
Subsequent to the spray wash, a thorough rinse eliminates residual detergent, contributing to achieving high cleanliness standards.
- **Hot Air Blow:**  
Utilizes hot air to ensure complete drying of the bins, enhancing the efficiency of the drying process.
- **Modular Design:**  
Designed with a modular structure, offering flexibility and adaptability to varied configurations to meet specific production needs.
- **Ultimate Cleaning Results:**  
Equipped with special manifolds, dedicated nozzles, and a continuous or stop-and-go conveyor for achieving ultimate cleaning results.



## APPLICATIONS

- Automotive Industry:
- Electronics Manufacturing:
- Food and Beverage Packaging:

- Auto Parts Manufacturing:
- Plastic Furniture Production:



## RUST-PREVENTING OIL DIPPING MACHINE

We specialize in manufacturing and exporting the Oil Dipping Machine, designed for rust prevention. After washing and drying casting or mild steel components, the anti-rust oil dipping process ensures protection against corrosion. This compact-sized machine is particularly suitable for intricate components, minimizing contamination levels effectively.

### FEATURES

- Provide good corrosion Protection
  - This system is suitable for all type of oil.
  - Fully automatic process is there which is controlled by timers for easy operations.
  - The process can be adjustable on PLC with fully automatic operated.
- |   |                              |
|---|------------------------------|
| ● Engine parts                            | ● Tractor components         |
| ● Transmission components                 | ● Harvesting equipment parts |
| ● Brake system parts                      | ● Train wheels and axles     |
| ● Bearings                                | ● Railway bearings           |
| ● Shafts and axles                        | ● Aircraft engine components |
| ● Welded structures                       | ● Aerospace fasteners        |
| ● Sheet metal Fabricated metal components | ● Industrial machinery parts |
|   | ● Tool and die components    |



## RUBBER HOSE WASHING MACHINE

We are manufacturers and suppliers of a custom-designed Rubber Hose Washing Machine. Compact and economical, this machine efficiently washes, rinses, and dries rubber hoses using water pressure, temperature, a suitable cleaner, and optimal spray patterns. Fitted with a Rotary Drum, hoses undergo continuous cleaning in a horizontal rotation for quick and effective results. Special manifolds and nozzles ensure ultimate cleanliness. The process involves continuous washing with alkaline solution, filtration, and lid opening for hose removal, allowing for a seamless and continuous cleaning cycle



### FEATURES

- Adjustable speed
- Highly Reliable
- Efficient cleaning
- Electric heating
- Front loading/unloading
- Automatic cycle
- Spray washing and air blow drying in closed environment so no harm to operator
- SS 304 Construction for wetted parts and MS construction for non-wetted parts in the machine

### APPLICATIONS

- Rubber hose & Parts



## BATTERY WASHING MACHINE

The Battery Washing Machine offers a meticulous cycle process to ensure the cleanliness and optimal functionality of batteries. The process begins with a spray wash, utilizing water pressure and suitable cleaning agents to remove contaminants. Subsequently, a thorough rinse stage follows, ensuring the elimination of any remaining cleaning agents. Air blow nozzles then come into play, efficiently removing moisture from the batteries. The final stage involves a hot air blow, where a controlled flow of warm air contributes to the complete drying of the batteries. This sequential process, combining spray wash, rinse, air blow, and hot air blow, guarantees a high level of cleanliness and prepares the batteries for subsequent use or processing. The machine's design accommodates user convenience, offering a comprehensive solution for battery cleaning requirements while ensuring the longevity and efficiency of batteries in various applications

### FEATURES

- Designed for increased productivity and adaptability to various battery types.
- Utilizes a conveyor system for seamless movement through the cleaning process.
- Features a cleaning tunnel with spray wash, ensuring thorough cleaning.
- Equipped with air blow nozzles for effective moisture removal.
- Includes a hot air blow stage for complete drying of batteries.
- Incorporates special manifolds with dedicated nozzles for precise and efficient cleaning.
- Offers flexibility with both continuous and stop-and-go conveyor operation.
- Features a comprehensive filtration system to maintain cleaning solution quality.
- Special air blower system for drying battery Complete structure in SS304 /316



## ULTRASONIC COMPONENT CLEANING MACHINE

Ultrasonic cleaning utilizes high-frequency sound waves to scrub immersed parts' surfaces. These waves agitate the liquid solution, causing cavitation that implodes microscopic bubbles with enough force to dislodge contaminants. Ideal for intricate items with blind holes, cracks, and recesses, ultrasonic cleaning involves a tank for fluid and items, a generator converting AC energy, and transducers transforming electrical signals. The fluid can be water-based or solvent-based in industrial ultrasonic cleaning systems

### FEATURES

- All wetted parts in SS material and non-wetted parts in MS Material.
- highly reliable
- low maintenance
- Environment friendly, aqueous cleaners.
- low running cost.
- Operator safety is built-in in the design of machine.

### APPLICATIONS

- Engine parts
- Fuel injectors
- Carburetors
- Aircraft components
- Precision parts
- Electronic components
- Pharmaceutical equipment
- Surgical instruments
- Medical devices
- Precision metal parts
- Bearings
- Molds and tooling



## AHU FILTER CLEANING AND DRYING MACHINE

AHU Filter Cleaning and Drying Machines, incorporating cutting-edge technology. These machines integrate dedusting, washing, and drying within a single chamber or conveyor-type multistage system for efficient filter cleaning. Crafted with top-quality materials and contemporary techniques, they adhere to industry standards. The washer features a rotary fixture or conveyor-type mechanism, enabling operators to load AHU filters into a chamber, facilitating dust removal through compressed air, spraying, and drying via hot air. Its compact design ensures quick and effective cleaning as the filter rotates around the vertical axis. Dedicated nozzles and special manifolds ensure optimal cleaning results, while a dust collector gathers the filtered dust for enhanced efficiency.



### FEATURES

The machine integrates dedusting, washing, and drying functions within a single chamber or conveyor-type multistage system, streamlining the filter cleaning process.

Employing advanced technology, the machine ensures a thorough and efficient cleaning process, meeting the highest industry standards.

Crafted with top-quality materials, the machine is durable and reliable, contributing to its long-term effectiveness and performance.

The compact design of the washer, whether with a rotary fixture or conveyor-type mechanism, allows for quick and effective cleaning. The filter rotates around the vertical axis, enhancing the cleaning process.

Equipped with a rotary fixture or conveyor-type loading mechanism, the machine is designed to be user-friendly, allowing operators to easily load AHU filters into the chamber.

The machine facilitates dust removal through compressed air, spraying, and drying via hot air, ensuring a comprehensive cleaning process.

Dedicated nozzles and special manifolds are strategically positioned to ensure optimal cleaning results, improving the overall efficiency of the machine.

A dust collector is integrated into the system to gather the filtered dust, contributing to enhanced efficiency and maintaining a clean environment.

## APPLICATIONS

- Industrial / Commercial Facilities
- Healthcare Facilities
- Pharmaceutical Industry
- Data Centers
- Food Processing
- Educational Institutions
- Government Buildings



## PLASTIC DRUM WASHER

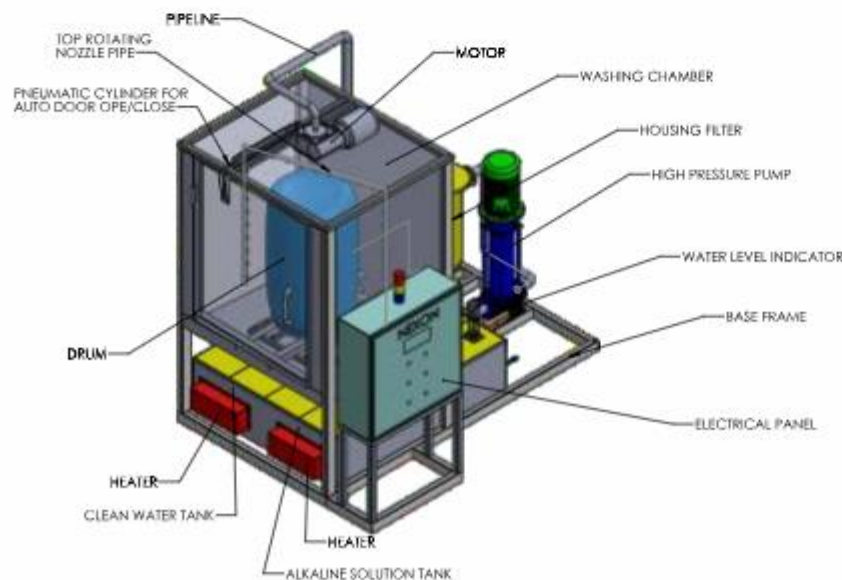
The Plastic Drum Washer efficiently cleans plastic drums using a streamlined process. Drums are loaded into the machine, where they undergo a series of washing, rinsing, and drying stages. The combination of water pressure, temperature, a suitable cleaner, and optimal spray patterns ensures thorough cleanliness. The machine incorporates special manifolds with dedicated nozzles, providing effective and reliable results in a compact and user-friendly design.

### FEATURES

- Compact and user-friendly design.
- Designed for cleaning plastic drums.
- Efficient loading mechanism for easy drum placement.
- Utilizes water pressure, temperature, suitable cleaner, and optimal spray patterns.
- Special manifolds with dedicated nozzles for effective cleaning.
- Multiple stages, including washing, rinsing, and drying.
- Constructed with durable materials for longevity.
- Efficient cleaning process for high productivity.
- Designed for ease of use with a user-friendly interface.
- Suitable for a variety of plastic drum sizes and types.
- Compact dimensions for space efficiency.
- Includes safety features for operator protection.
- May include optional features such as continuous or stop-and-go operation.

### APPLICATIONS

- Cleaning and preparing drums for chemical storage and transport.
- Washing drums used for storing and transporting food-grade materials.
- Cleaning drums for pharmaceutical ingredients and products.
- Cleaning drums used in the production of various goods.
- Washing drums for recycling and waste collection.
- Cleaning drums used for agricultural chemicals and fertilizers.
- Preparing drums for storing water treatment chemicals.
- Cleaning drums before transportation to ensure cleanliness and compliance.
- Washing drums used in textile manufacturing processes.
- Cleaning drums used for construction materials like adhesives and sealants.
- Preparing drums for the storage and transport of automotive fluids.
- Cleaning drums used in various manufacturing processes.





# RAILWAY SECTOR

Parts cleaning and Degreasing Machine

Automatic Monorail Wash Plant

Parts washer for Railway

Cleaning of Train Engine Parts

Bogie Cleaning Machine

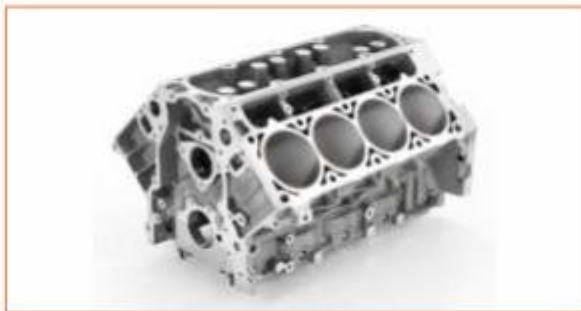
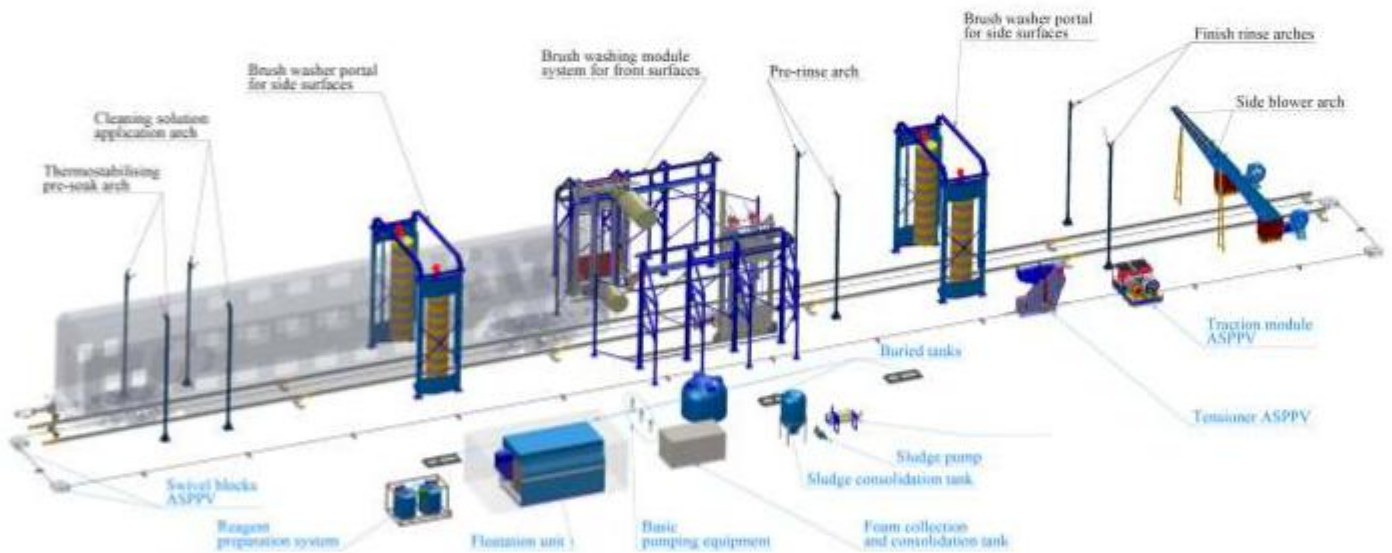
Cleaning of Train/ Metro parts

Automatic Train wash plant

Engine Cylinder Head Washing Machine

Automatic Coach Wash plant for Metro

Choke and Bearing Cleaning Plant



APPLICABLE FOR MORE THAN 350 COMPONENTS



## SOME OF OUR ESTEEM CUSTOMERS



*Division of Skylark Engineering Technologies*

# END-TO-END SOLUTIONS



Office No.305 Mangonest Commercial Complex,  
Sinhgad Road, Wadgaon, Pune. 411041 (MH) India

 +91 89561 67250

 [info@nexonindia.in](mailto:info@nexonindia.in)  [www.nexonindia.in](http://www.nexonindia.in)